

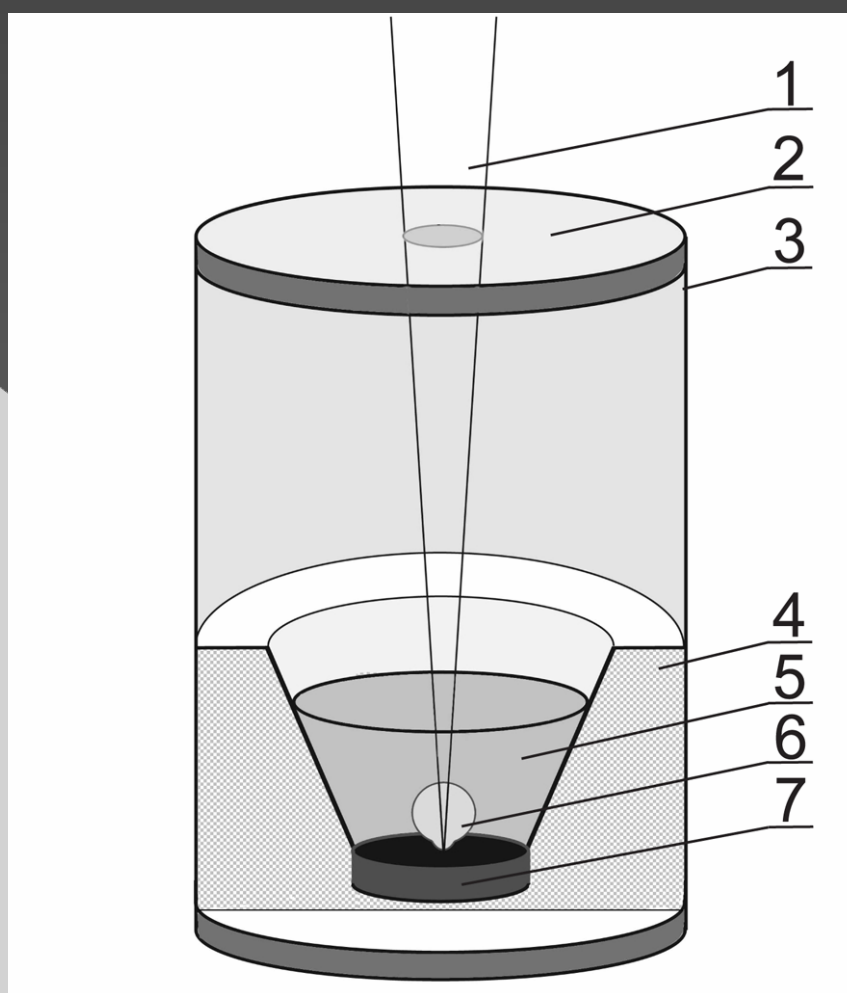
The model of Europa and a capability of the synthesis organic compounds at the underwater plasma torch.

Managadze G. G, Moiseenko D.A., Chumikov A.E., Bondarenko A.I.

Space Researches Institute

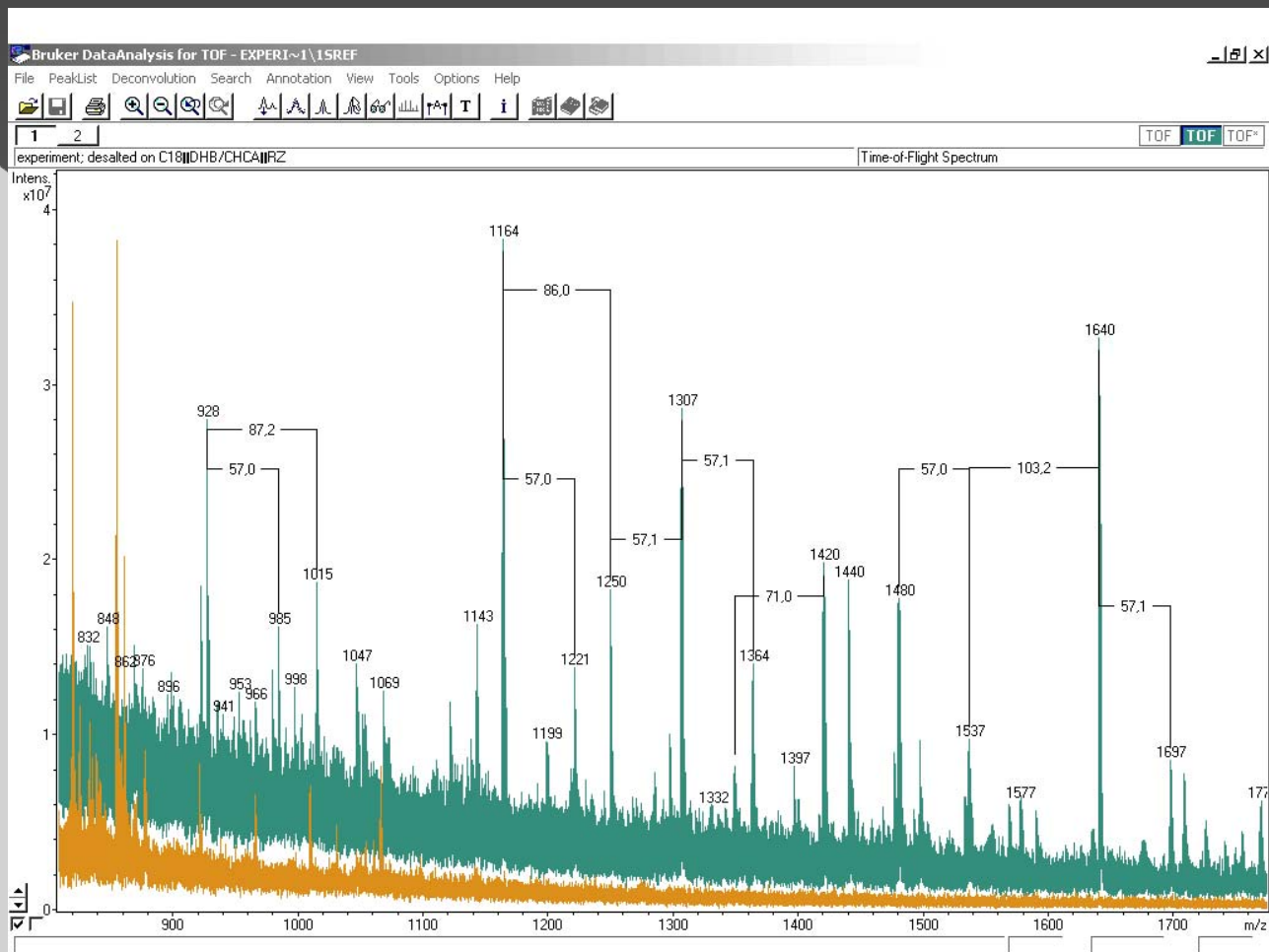
Russian Academy of Sciences

Laboratory of Active Diagnostics

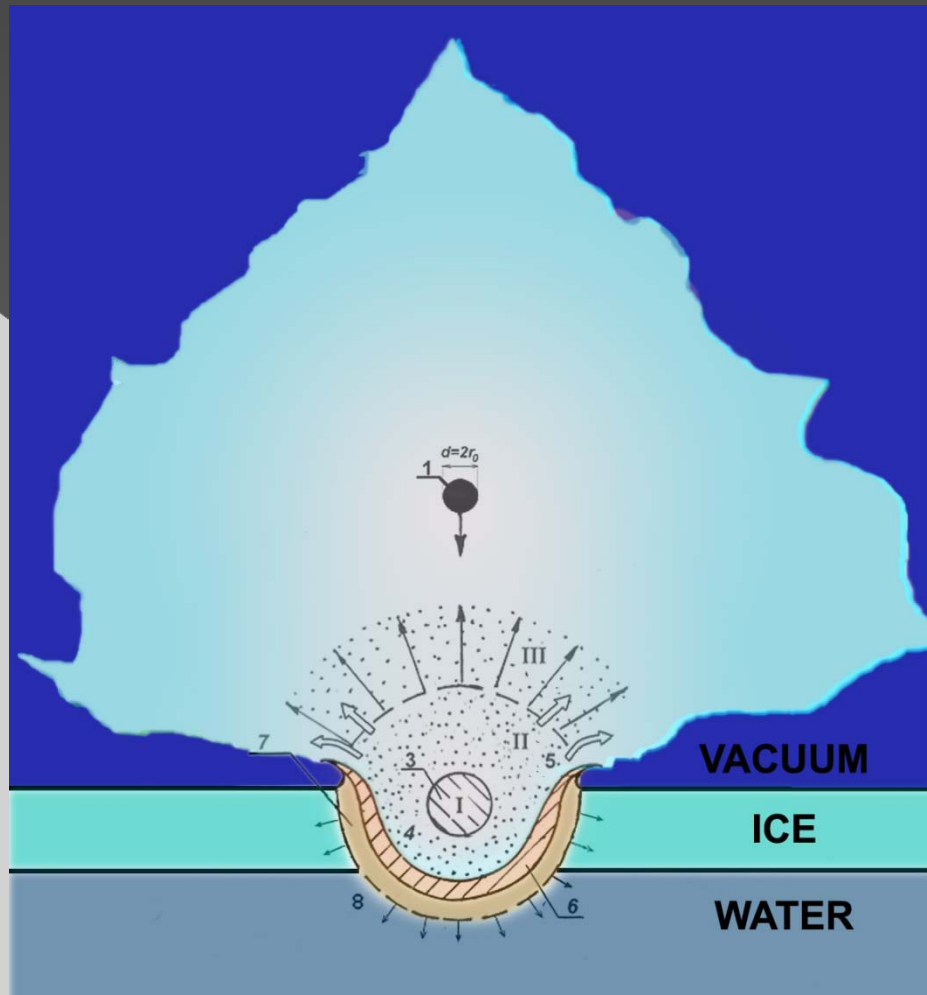


Hermetic container for underwater plasma torch generation and accumulation of organic compounds, synthesized during the plasma emission.

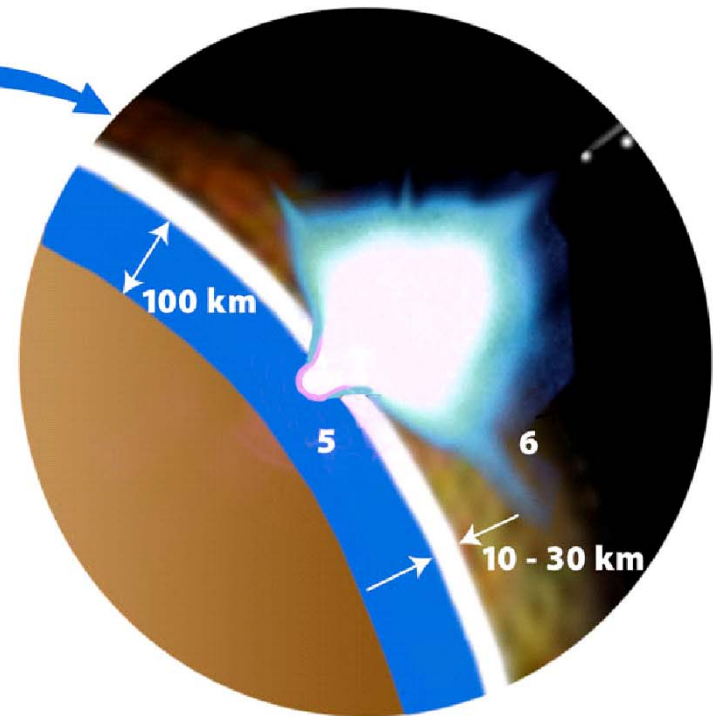
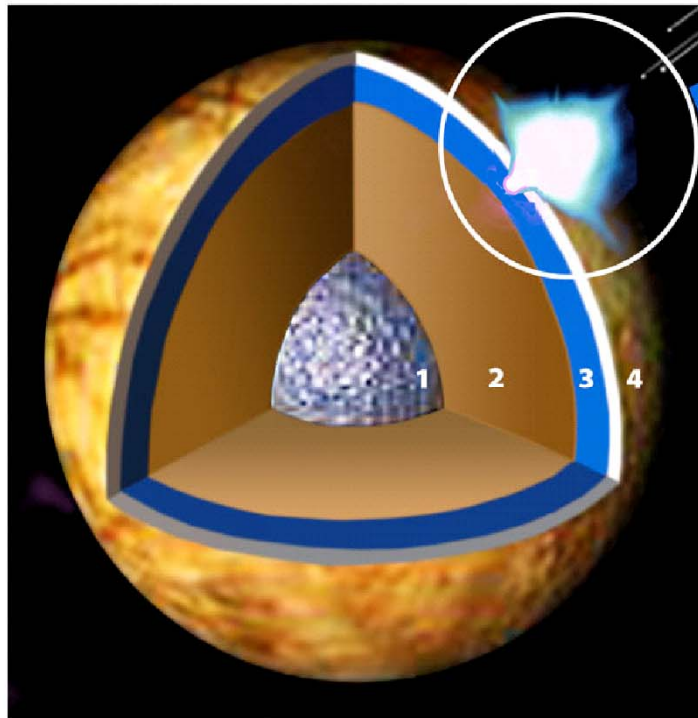
Signs : 1- Laser impact aperture, focused at the carbon tablet, 2 – antireflection lens, 3 – container's body, 4 – vertical section of cartridge, 5 – nitrate ammonium water solution, 6 – underwater plasma torch, 7 – the tablet of superpure carbon



Mass peaks of OC formed in a sub water plasma torch generated under the influence of laser radiation on a target made from carbon and water solution of NH_4NO_3 , with an possibility of synthesis of Gly, Ala, Ser and Cys.



Penetrating meteorite impact



Penetrating meteorite impact at the Jupiter's moon Europa.

1. Iron nucleus.
2. Rock formation
3. Ocean
4. Ice crust
5. Unloading area
6. External (outward) plasma torch

Estimations of OC density at the Europa ocean

$$R_{\text{Europa}} = 1569 \text{ km.} \quad H_{\text{Ocean}} = 100 \text{ km.} \quad V_{\text{Ocean}} = 10^9 \text{ km}^3.$$

To the Earth at the first 200 million years:

$5 \cdot 10^9$ meteorites with diameter 3 km. $V = 13 \text{ km}^3$

(Ordinary chondritis 90%, Carbon chondritis 10% ,
comet nucleus 1%.)

To the Europa: $5 \cdot 10^{13} / 20 = 2.5 \cdot 10^{12}$ comet nucleus.

$$V_{\text{comet}} = 3 \cdot 10^{13} \text{ km}^3$$

$$\text{Ratio: } V_{\text{comet}} / V_{\text{ocean}} = 6 \cdot 10^3.$$

Corrections:	Carbon concentration	10%.
	Number of carbon at OC	10
	Effective yield of OC	1 – 10%

Total correction: $2 \cdot 10^3 - 2 \cdot 10^4$

The ratio is 3 – 0.3.

This value approximately correspond to the density of the OC solution from 0.01 to 0.1 % with average mass ~ 100 a.m.u.